



2200 SERIES SLIDING PATIO DOOR

ADVANCED DESIGN AND ENGINEERING OFFER SUPERIOR PERFORMANCE

AmerimaxWindows.com

2200 SERIES SLIDING PATIO DOOR

ESSENTIAL MARKET DEMANDS

Energy Efficiency

- Reduces heating and cooling costs
- Meets stringent energy codes
- Allows for “green” manufacturing and “green” building

Structural Demands

- Heavier Glass Loads
- 3- and 4-panel doors
- Impact, hurricane and commercial rating

Robust Design

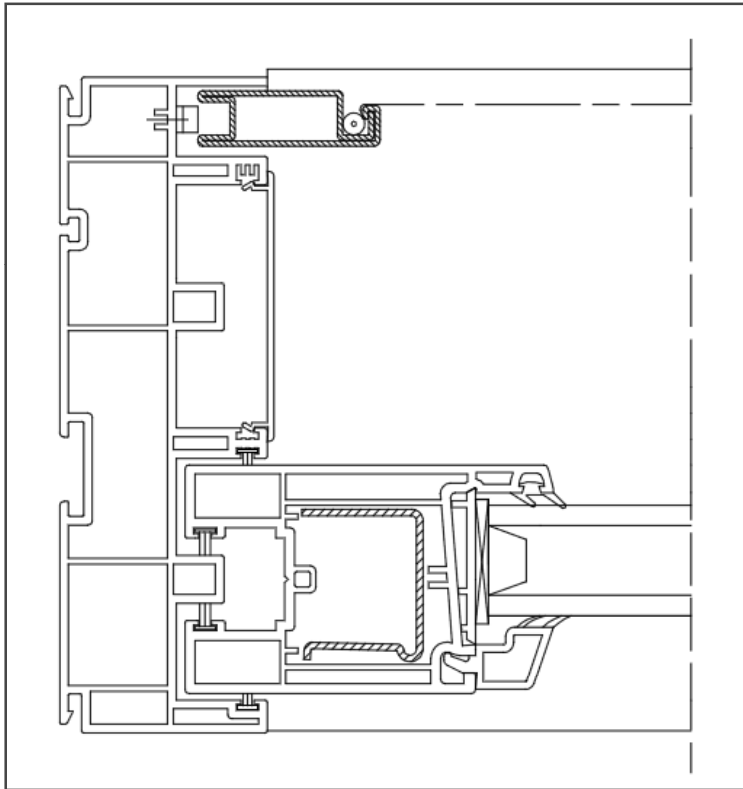
- Small sightlines
- Maximum glass sizes
- Large units
- Low maintenance



Fit the demands of any market with the System 2200 Sliding Patio Door

2200 SERIES SLIDING PATIO DOOR

HIGH QUALITY FEATURES OFFER UNCOMPROMISING PERFORMANCE



PERFORMANCE GRADE: LC-PG55				
Glass Options	U Value	SHGC	VT	CR
Low E 366/Clear/Argon 90%	0.27	0.20	0.47	62
Low E 366/Clear/Argon 90% - BBG	0.30	0.18	0.42	58
Low E 366/Clear/Air – BBG	0.33	0.18	0.42	54
Future Options	0.17	TBD	TBD	

Security Meets forced entry and California forced entry requirements

Design Pressure LC-55

STC Rating Currently In Testing

Impact Rating Currently In Testing

Air Rating 0.1 [cfm / ft²] : 0.5 [L/s/m²] or A3

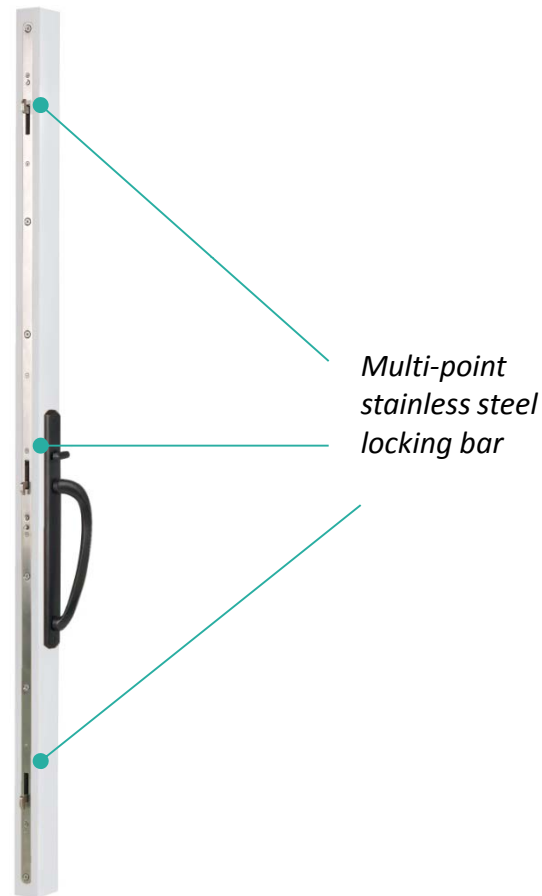
System Frame Depth 5.955 in (151.26 mm)

2200 SERIES SLIDING PATIO DOOR

TECHNICAL DETAILS

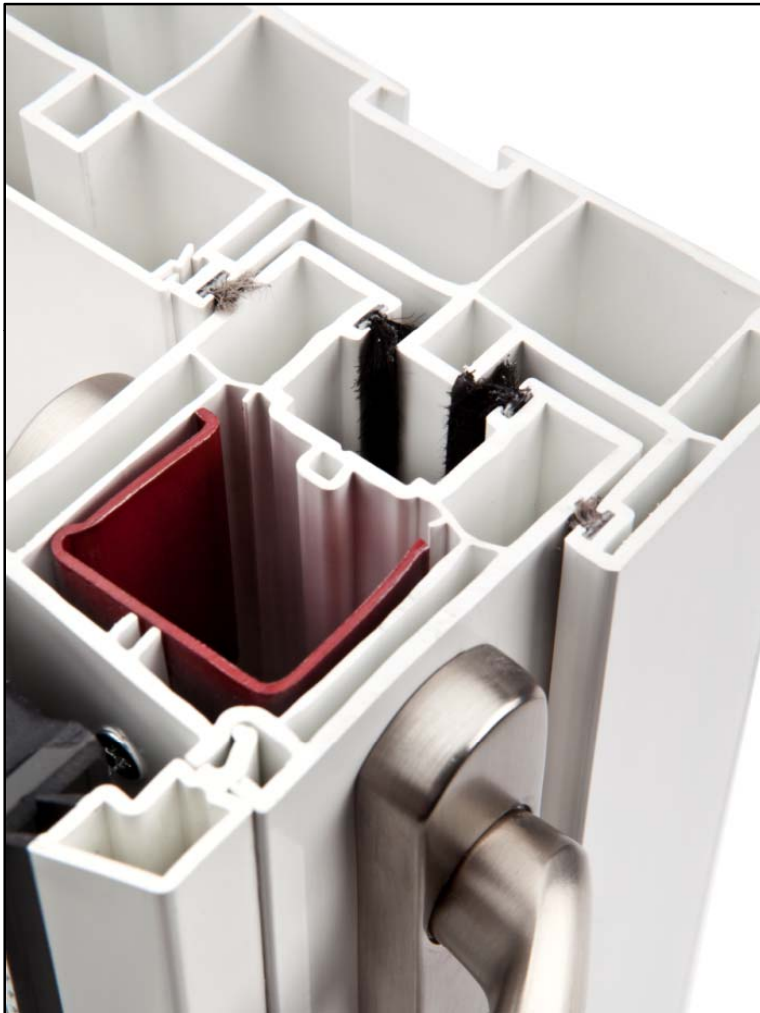
Multi-point Locking System

- True 3-point locking system
- Stainless steel
- Separated keepers
- Improves air and water infiltration
- Increases security



2200 SERIES SLIDING PATIO DOOR

TECHNICAL DETAILS

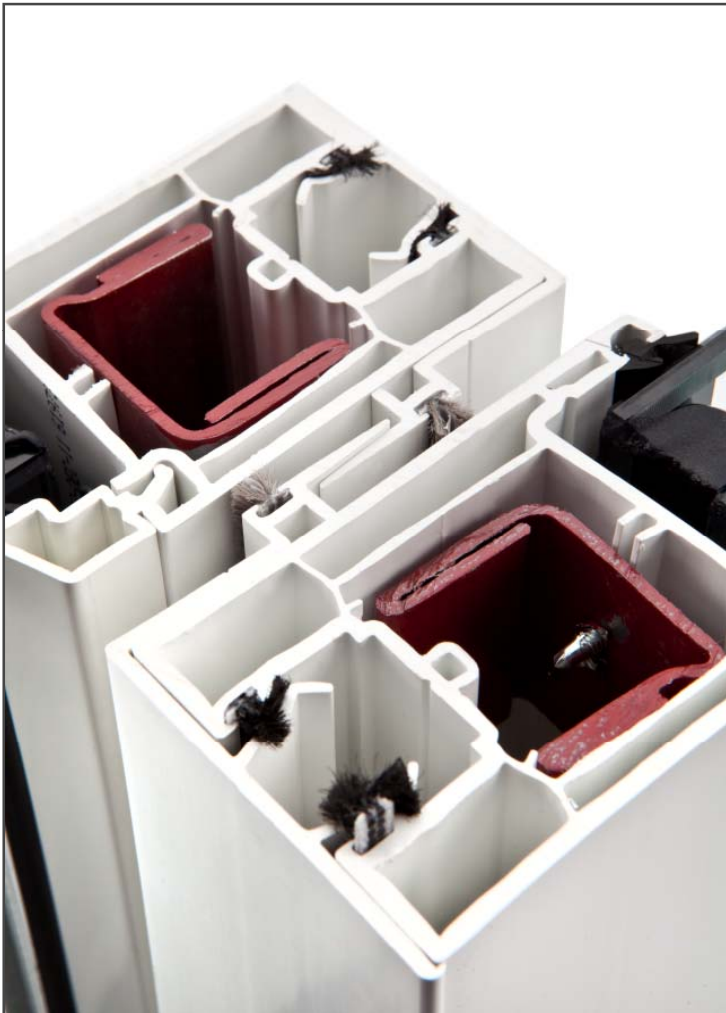


Multiple Seals

- Seals provide increased energy efficiency
- Multiple layers of weatherpile seals in each operable part
- Center fin forms water and air barrier
- Pre-installed weatherpile seals on sashes
- Frame weatherpile pre-installed at head and sill

2200 SERIES SLIDING PATIO DOOR

TECHNICAL DETAILS

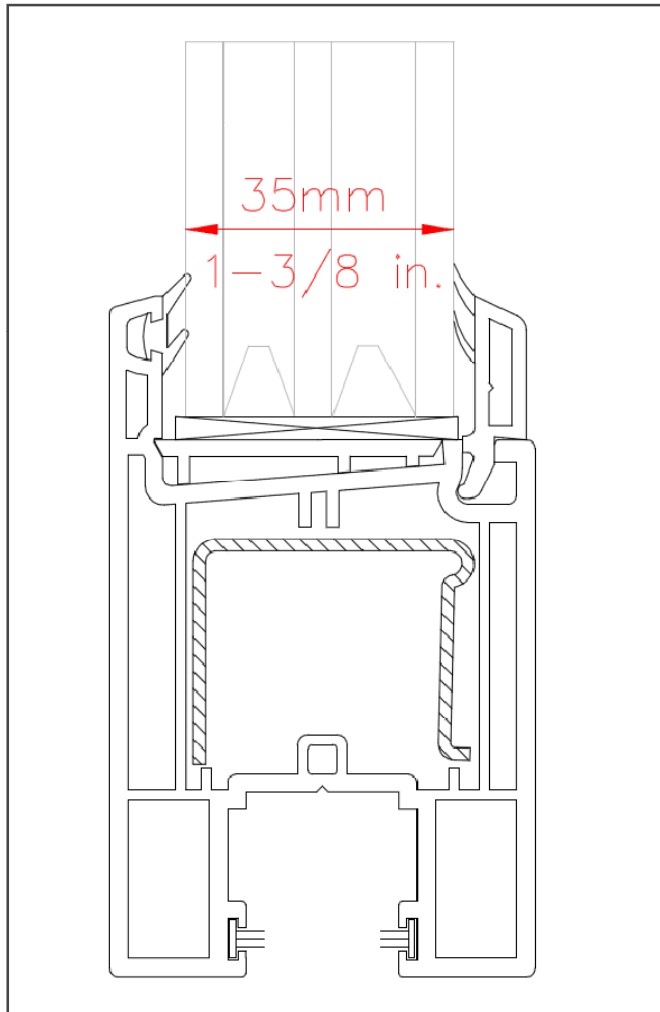


Multi-chambered Sash

- Large reinforcement chambers accept steel to allow for high structural performance
- Shared SKU with REHAU tilt-turn systems
- Chamber design isolates steel reinforcement from direct contact with interior or exterior surface improving thermal performance
- Screw bosses strategically located so that screws go through multiple layers of uPVC

2200 SERIES SLIDING PATIO DOOR

TECHNICAL DETAILS



Glazing Rebate

- 1 3/8 glazing rebate allows multiple glazing options
- 7 – 35 mm glazing options
- Dry glazing option offers easy glass replacement
- Sloped rebate for water drainage
- Shared glazing stops with 4500 tilt-turn systems

2200 SERIES SLIDING PATIO DOOR

TECHNICAL DETAILS

Installation Details

- 1 Standard accessory grooves inside and outside allows for use of all SU 9000 accessories

Multiple design features for an aesthetically appealing installation

- 2 Frame groove for installation strap
- 3 Snap-on cover
- 4 Nailing fin installation groove



2200 SERIES SLIDING PATIO DOOR

TECHNICAL DETAILS

Sill Detail

- Anodized aluminum sill cover
- Integrated screen channel
- Internal water drainage
- Durable weep cover on fixed panel away from foot traffic
- Saddle rail design for ease of operation
- Available in silver



2200 SERIES SLIDING PATIO DOOR

TECHNICAL DETAILS

Side Lites

- Dedicated fixed frame for transoms and side lites
- Small side lites allow for maximum daylighting
- Increased glass area increases thermal performance



2200 SERIES SLIDING PATIO DOOR

TECHNICAL DETAILS

Operation

- Custom-engineered stainless-steel delrin roller package with precision bearings
- Smooth operation enhances end-user satisfaction
- Operating force = 8 lbs [36 N]
- Breakaway force = 23 lbs [102 N]



2200 SERIES SLIDING PATIO DOOR

TECHNICAL DETAILS

Surface Finish

- High-gloss level
- Repels dirt and stains
- Consistent with other product lines
- Offers low maintenance and easy cleaning for end user



2200 SERIES SLIDING PATIO DOOR

TECHNICAL DETAILS

Color Options

- Enhance aesthetics
- Increase architectural appeal
- Available core colors:
 - White uPVC
 - Clay uPVC
- Available laminated colors
 - Solid color foil
 - Wood-grain foil



2200 SERIES SLIDING PATIO DOOR

FITS THE DEMANDS OF ANY MARKET

Kit Details

- Market-driven sizes
- Multiple configurations provide customization options
 - OX, OXO, OXXO, XOO, X

Standard options

- White
- Steel reinforcement around the perimeter of both panels.
- Lo E 366 NEAT with Argon Gas.
- Lo E 366 NEAT with optional white blinds between the glass.
- Extruded Frame Screen Door with Internal locking handle and stainless steel rollers.
- Brushed Nickel keyed handle with PVD coating for weatherization.



Kits open more project opportunities because they're easily assembled in your shop or on the job site.